



Offshoretechnique

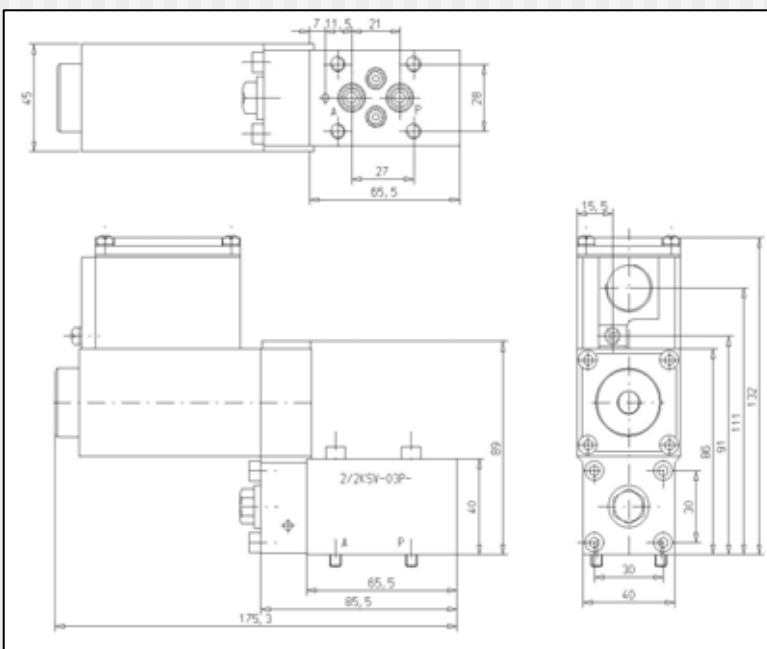
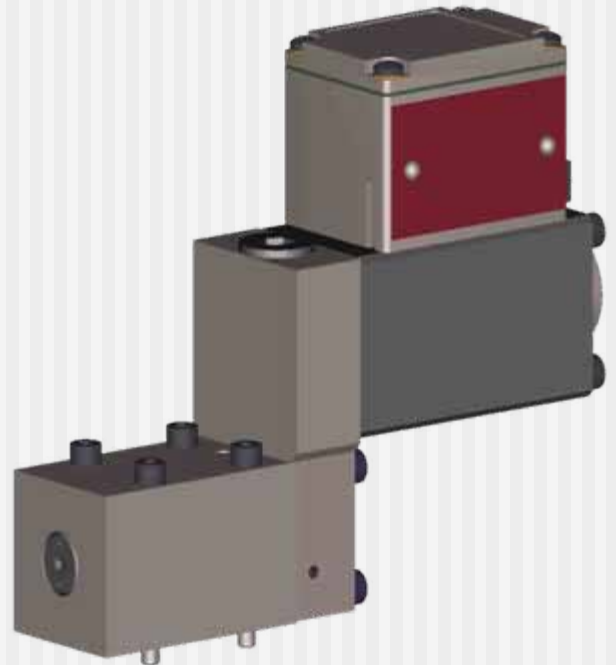
1. 2/2 way valve DN3

TECHNICAL VALVE DATA:

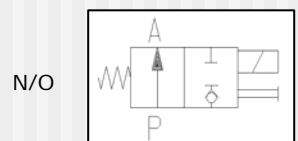
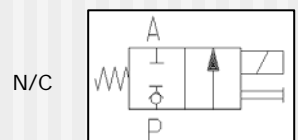
SIZE	DN 3
CONFIGURATION	2 PORT, 2 POSITION
WORKING PRESSURE	MAX. 250 BARG
NOMINAL FLOW RATE	5 L/MIN
OPERATING MEDIUM	WATER, HFA, HFB OR MINERAL OIL

TECHNICAL SOLENOID DATA:

CLASSIFICATION	EEX me II 2G CE
APPROVAL-NO.	BAS98.ATEX.2380X
VOLTAGE	24VDC
POWER	MAX. 3,5 WATT
IP RATING	IP 66
CABLE GLAND ENTRY	M20x1,5
MANUAL OVERRIDE	



HYDRAULIC SYMBOL



Drawing No.: 10-205107-02-00

Part No.: 208451 positive

Drawing No.: 10-205107-03-00

Part No.: 208821 negative



Offshoretechnique

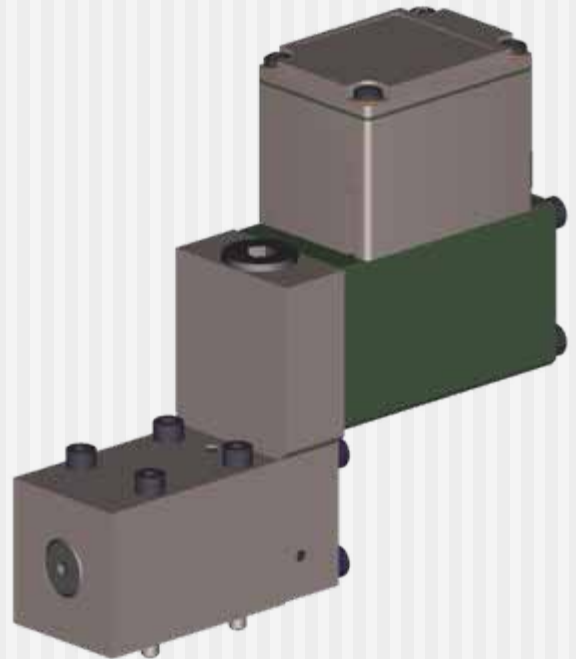
2. 2/2 way valve DN3

TECHNICAL VALVE DATA:

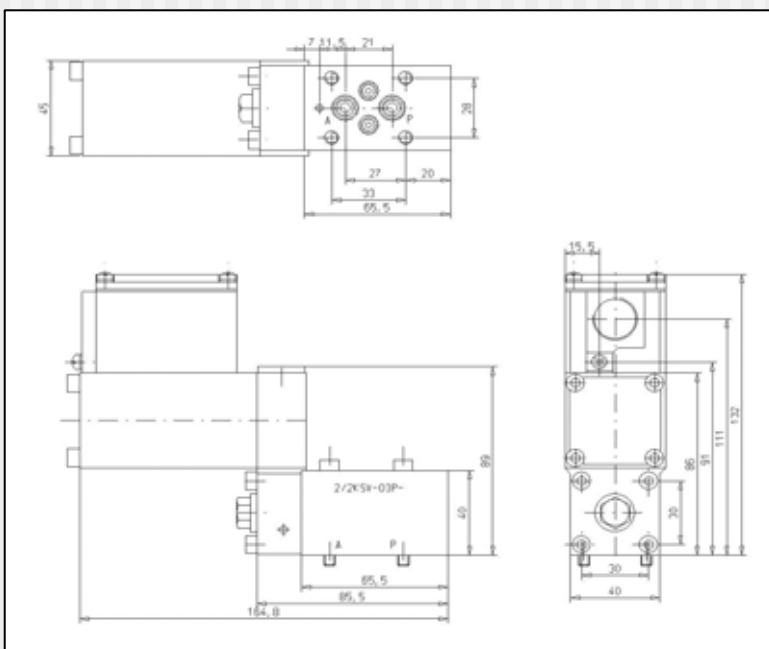
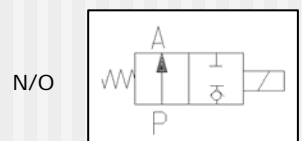
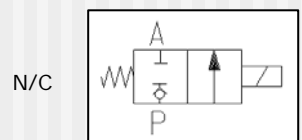
SIZE	DN 3
CONFIGURATION	2 PORT, 2 POSITION
WORKING PRESSURE	MAX. 250 BARG
NOMINAL FLOW RATE	5 L/MIN
OPERATING MEDIUM	WATER, HFA, HFB OR MINERAL OIL

TECHNICAL SOLENOID DATA:

CLASSIFICATION	EEX me II 2G CE
APPROVAL-NO.	BAS98.ATEX.2380X
VOLTAGE	24VDC
POWER	MAX. 3,5 WATT
IP RATING	IP 66
CABLE GLAND ENTRY	M20x1,5



HYDRAULIC SYMBOL



Drawing No.: 10-205107-12-00

Part No.: 210262 positive

Drawing No.: 10-205107-13-00

Part No.: 210263 negative



Offshoretechnique

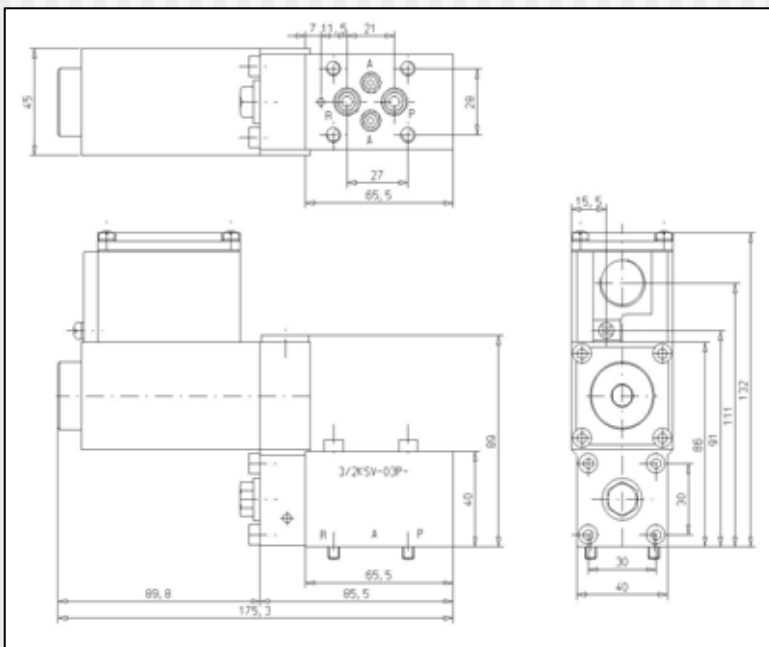
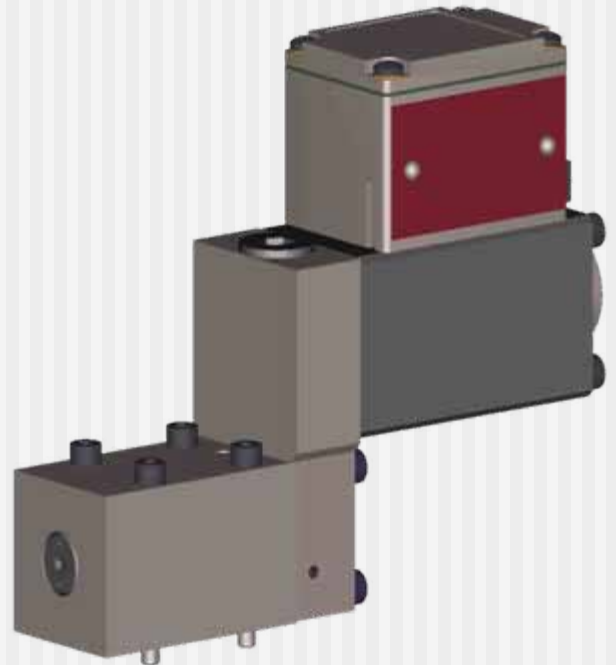
3. 3/2 way valve DN3

TECHNICAL VALVE DATA:

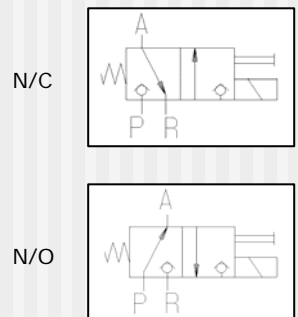
SIZE	DN 3
CONFIGURATION	3 PORT, 2 POSITION
WORKING PRESSURE	MAX. 250 BARG
NOMINAL FLOW RATE	5 L/MIN
OPERATING MEDIUM	WATER, HFA, HFB OR MINERAL OIL
VALVE 209505	GAS (MAX. 100 BARG)

TECHNICAL SOLENOID DATA:

CLASSIFICATION	EEX me II 2G CE
APPROVAL-NO.	BAS98.ATEX.2380X
VOLTAGE	24VDC
POWER	MAX. 3,5 WATT
IP RATING	IP 66
CABLE GLAND ENTRY	M20x1,5
MANUAL OVERRIDE	



HYDRAULIC SYMBOL



Drawing No.: 11-205141-00-00
Part No.: 208873 positive
Drawing No.: 11-205141-02-00
Part No.: 209304 negative
Drawing No.: 11-205141-03-00
Part No.: 209505 positive (gas)



Offshoretechnique

3. 3/2 way valve DN3

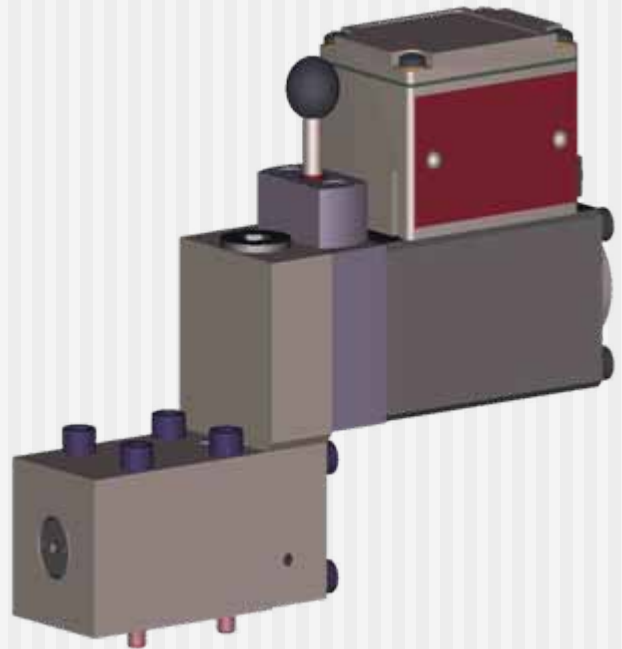
TECHNICAL VALVE DATA:

SIZE	DN 3
CONFIGURATION	3 PORT, 2 POSITION
WORKING PRESSURE	MAX. 250 BARG
NOMINAL FLOW RATE	5 L/MIN
OPERATING MEDIUM	WATER, HFA, HFB OR MINERAL OIL

MANUAL RESET

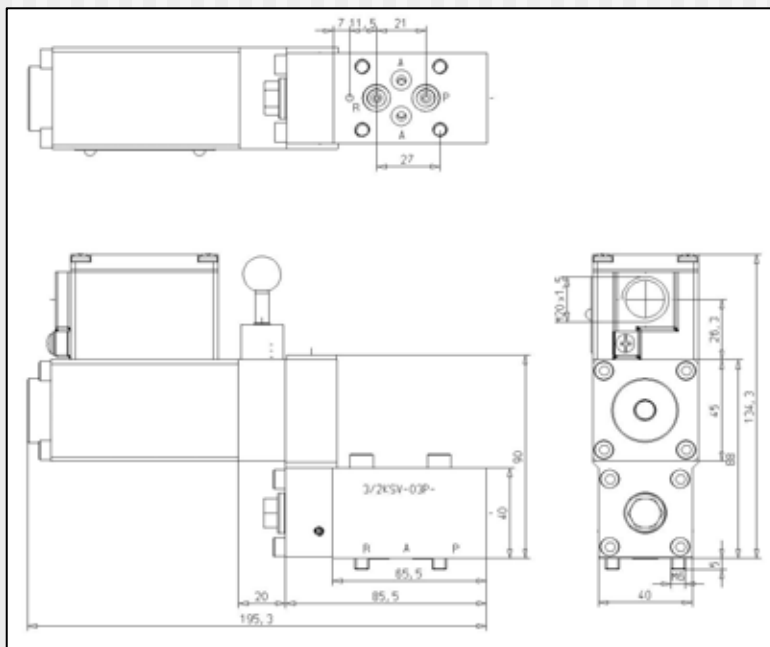
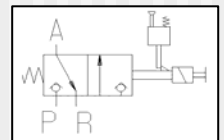
TECHNICAL SOLENOID DATA:

CLASSIFICATION	EEX me II 2G CE
APPROVAL-NO.	BAS98.ATEX.2380X
VOLTAGE	24VDC
POWER	MAX. 3,5 WATT
IP RATING	IP 66
CABLE GLAND ENTRY	M20x1,5
MANUAL OVERRIDE	



HYDRAULIC SYMBOL

N/C



Drawing No.: 11-205141-10-00

Part No.: 210077 positive



Offshoretechnique

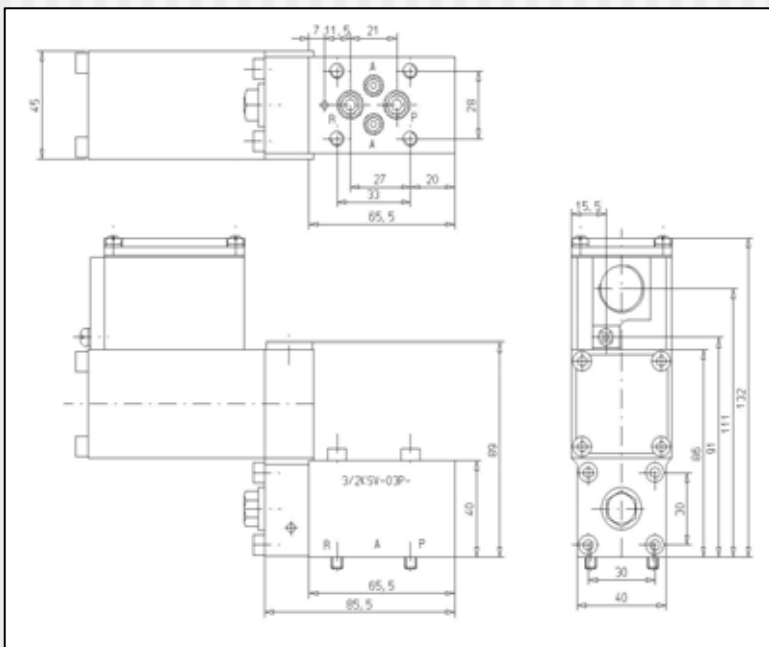
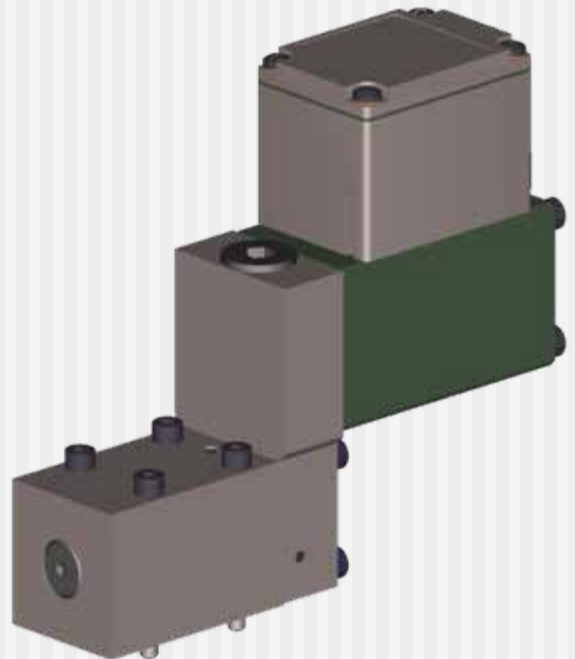
4. 3/2 way valve DN3

TECHNICAL VALVE DATA:

SIZE	DN 3
CONFIGURATION	3 PORT, 2 POSITION
WORKING PRESSURE	MAX. 250 BARG
NOMINAL FLOW RATE	5 L/MIN
OPERATING MEDIUM	WATER, HFA, HFB OR MINERAL OIL
VALVE 209505	GAS (MAX. 100 BARG)

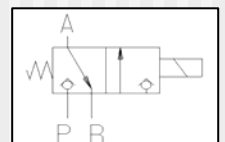
TECHNICAL SOLENOID DATA:

CLASSIFICATION	EEX me II 2G CE
APPROVAL-NO.	BAS98.ATEX.2380X
VOLTAGE	24VDC
POWER	MAX. 3,5 WATT
IP RATING	IP 66
CABLE GLAND ENTRY	M20x1,5

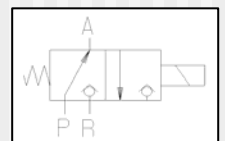


HYDRAULIC SYMBOL

N/C



N/O



Drawing No.: 11-205141-20-00

Part No.: 210264 positive

Drawing No.: 11-205141-12-00

Part No.: 210266 negative

Drawing No.: 11-205141-13-00

Part No.: 210267 positive (gas)



Offshoretechnique

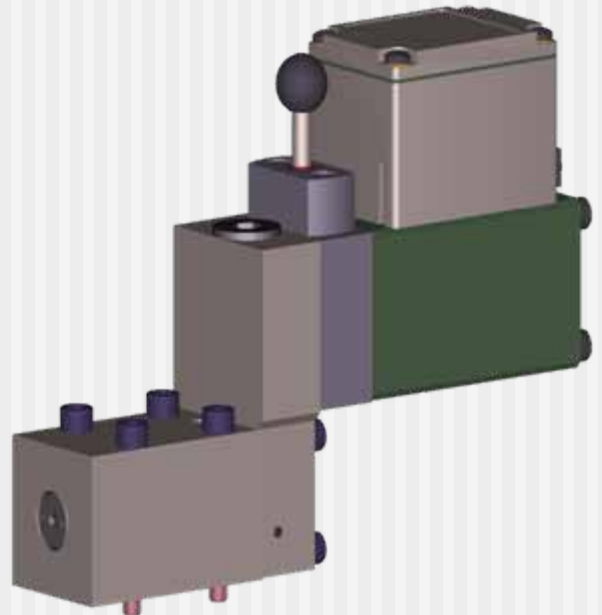
4. 3/2 way valve DN3

TECHNICAL VALVE DATA:

SIZE	DN 3
CONFIGURATION	3 PORT, 2 POSITION
WORKING PRESSURE	MAX. 250 BARG
NOMINAL FLOW RATE	5 L/MIN
OPERATING MEDIUM	WATER, HFA, HFB OR MINERAL OIL
MANUAL RESET	

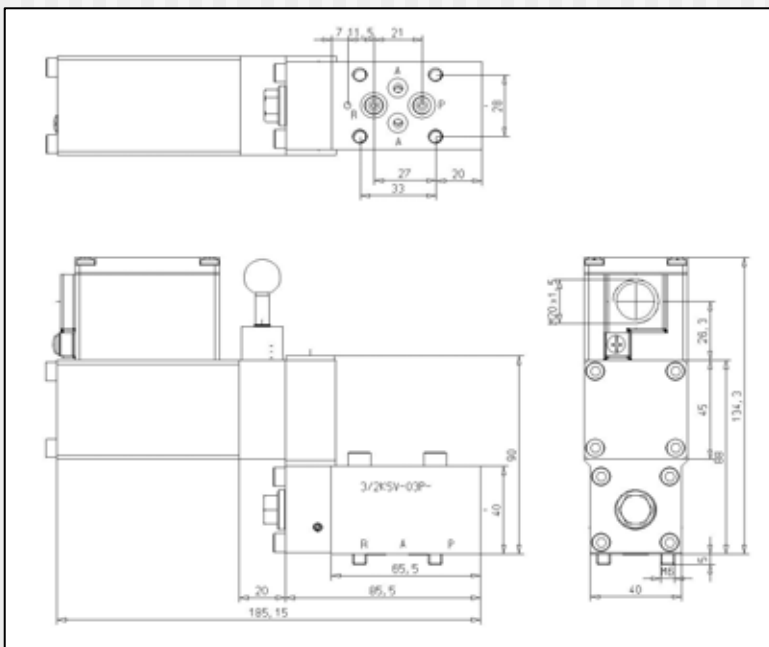
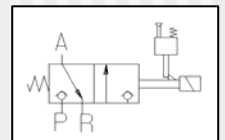
TECHNICAL SOLENOID DATA:

CLASSIFICATION	EEX me II 2G CE
APPROVAL-NO.	BAS98.ATEX.2380X
VOLTAGE	24VDC
POWER	MAX. 3,5 WATT
IP RATING	IP 66
CABLE GLAND ENTRY	M20x1,5



HYDRAULIC SYMBOL

N/C



Drawing No.: 11-205141-30-00

Part No.: 210256 positive

