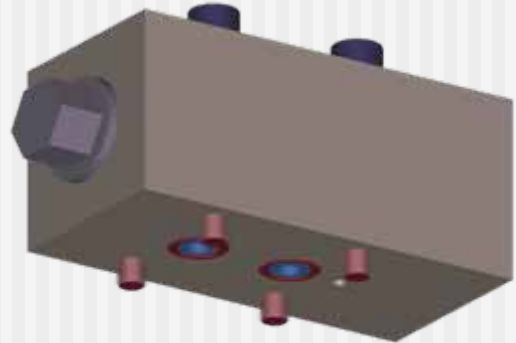


# Offshoretechnik

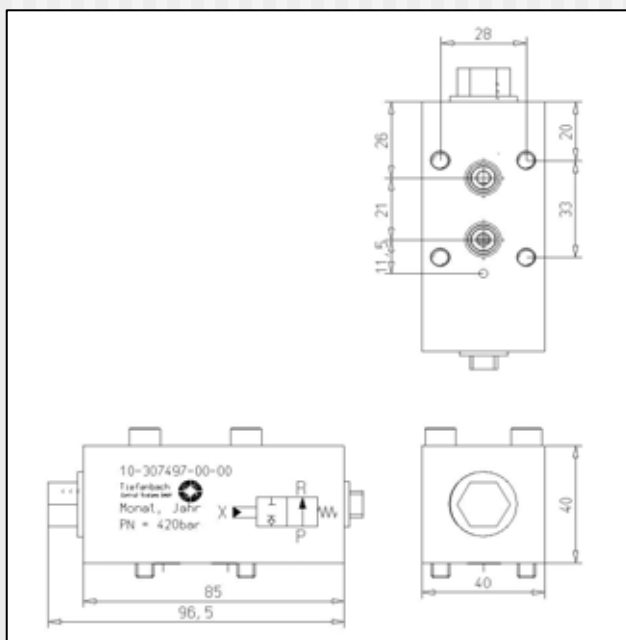
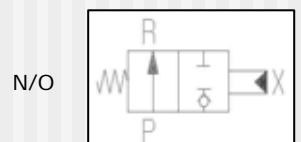
## 9. 2/2 way valve DN5

### TECHNICAL VALVE DATA:

SIZE	DN5
CONFIGURATION	2 PORT, 2 POSITION
PORT X	¼ NPT
CONSTRUKTION	CONE/ SEAT VALVE
MONTING	SUBPLATE TYPE
SEALS	NBR
WORKING PRESSURE	MAX. 420 BARG
NOMINAL FLOW RATE	MAX. 20 L/MIN
OPERATING MEDIUM	WATER, HBWF OR MINERAL OIL
INGRESS PROTECT.	IP 66



### HYDRAULIC SYMBOL



Drawing No.: 10-307497-00-00

Part No.: 208485

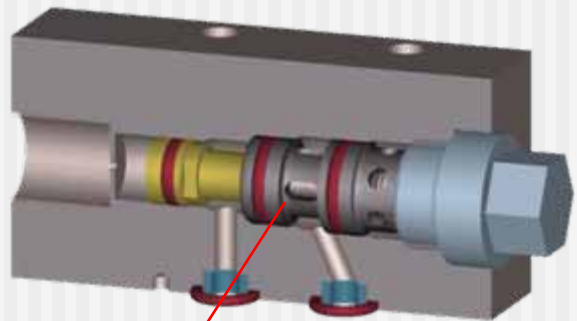


# Offshoretechnique

## 9. 3/2 way cartridge DN5

**TECHNICAL VALVE DATA:**

SIZE	DN5
CONFIGURATION	3 PORT, 2 POSITION
WORKING PRESSURE	MAX. 420 BARG
NOMINAL FLOW RATE	MAX. 20 L/MIN
OPERATING MEDIUM	WATER, HFA, HFB OR MINERAL OIL
BLOCK BEFORE BLEAD DESIGN	
VALVE BODY	STAINLESS STEEL A4
SEALS	NBR



R

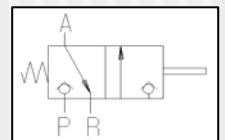
A

P



**HYDRAULIC SYMBOL**

N/C



**Drawing No.: 11-303799-02-00**

**Part No.: 2208838**



# Offshoretechnique

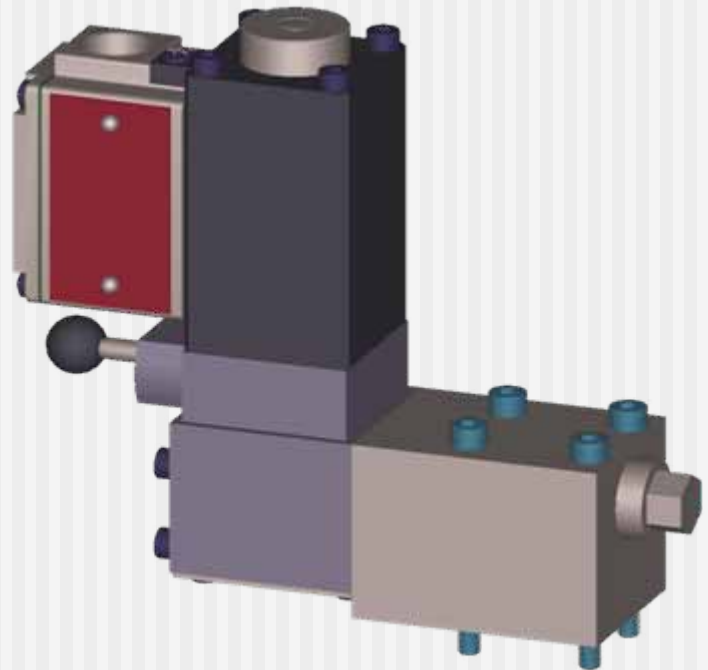
## 10. 3/2 way valve DN5

### TECHNICAL VALVE DATA:

SIZE	DN5
CONFIGURATION	3 PORT, 2 POSITION
WORKING PRESSURE	210 BARG
NOMINAL FLOW RATE	20 L/MIN
OPERATING MEDIUM	WATER, HFA, HFB OR MINERAL OIL
MANUAL RESET	

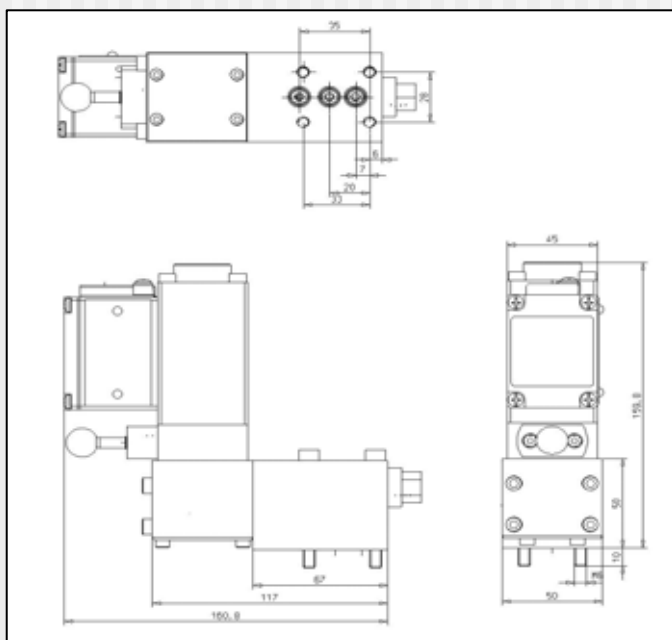
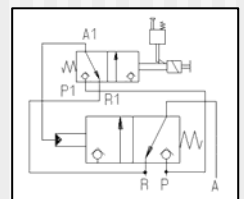
### TECHNICAL SOLENOID DATA:

CLASSIFICATION	EEX me II T6
APPROVAL-NO.	BAS98.ATEX.2380X
VOLTAGE	24VDC ±10%
POWER	MAX. 3,5 WATT
IP RATING	IP 66
CABLE GLAND ENTRY	M20x1,5
MANUAL OVERRIDE	



### HYDRAULIC SYMBOL

N/C



Drawing No.: 11-105637-00-00

Part No.: 209839 positive



# Offshoretechnique

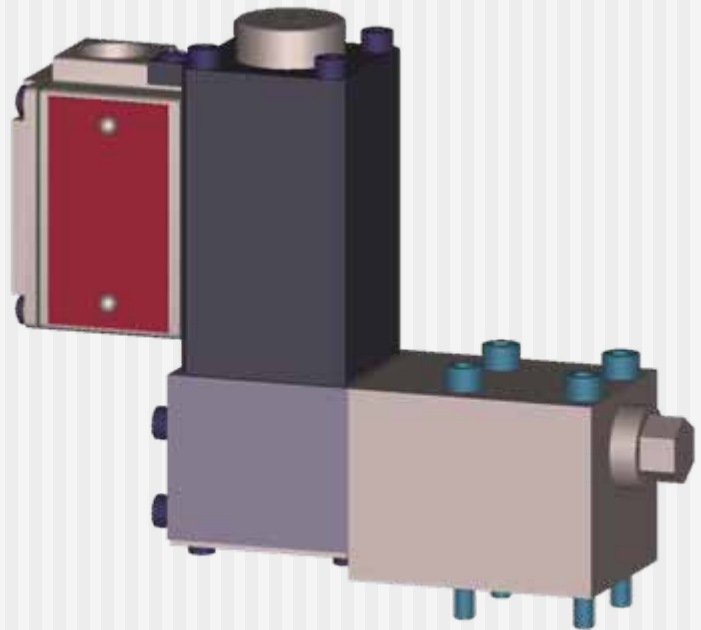
## 10. 3/2 way valve DN5

### TECHNICAL VALVE DATA:

SIZE	DN5
CONFIGURATION	3 PORT, 2 POSITION
WORKING PRESSURE	210 BARG
NOMINAL FLOW RATE	20 L/MIN
OPERATING MEDIUM	WATER, HFA, HFB OR MINERAL OIL

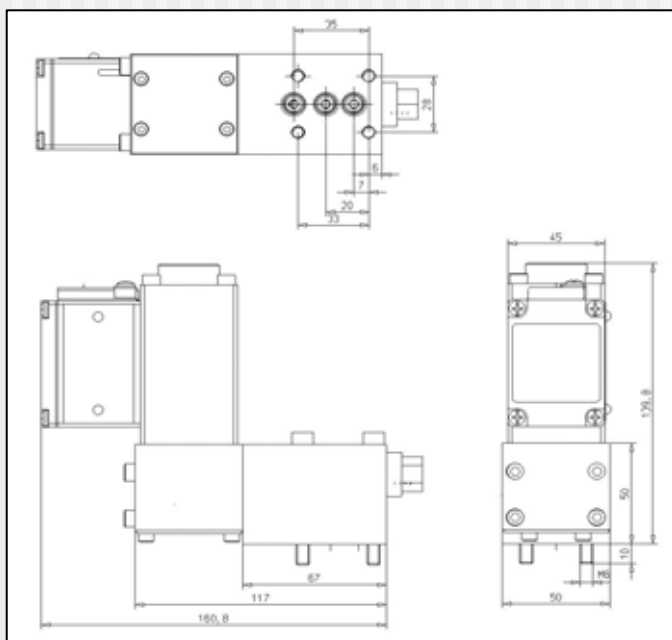
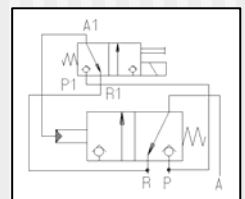
### TECHNICAL SOLENOID DATA:

CLASSIFICATION	EEX me II T6
APPROVAL-NO.	BAS98.ATEX.2380X
VOLTAGE	24VDC $\pm$ 10%
POWER	MAX. 3,5 WATT
IP RATING	IP 66
CABLE GLAND ENTRY	M20x1,5
MANUAL OVERRIDE	



### HYDRAULIC SYMBOL

N/C



Drawing No.: 11-105637-02-00

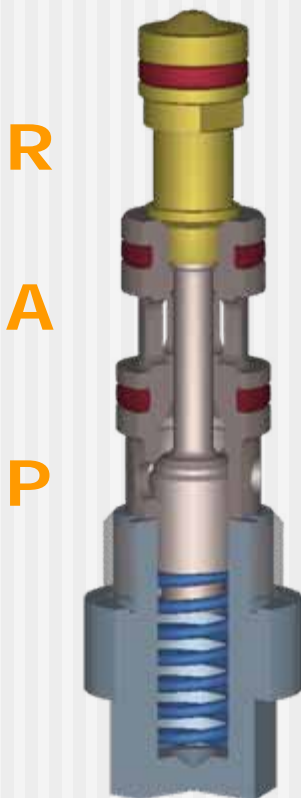
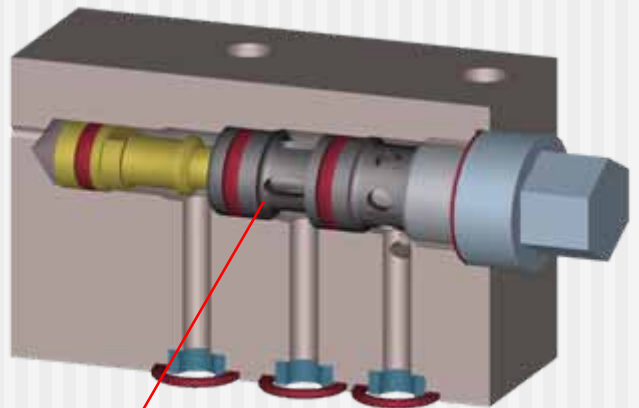
Part No.: 209873 positive

# Offshoretechnique

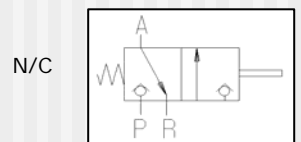
## 10. 3/2 way cartridge DN5

### TECHNICAL VALVE DATA:

SIZE	DN5
CONFIGURATION	3 PORT, 2 POSITION
WORKING PRESSURE	MAX. 420 BARG
NOMINAL FLOW RATE	MAX. 20 L/MIN
OPERATING MEDIUM	WATER, HFA, HFB OR MINERAL OIL
BLOCK BEFORE BLEAD DESIGN	
VALVE BODY	STAINLESS STEEL A4
SEALS	NBR



### HYDRAULIC SYMBOL



Drawing No.: 11-303799-02-00

Part No.: 208838