

# Offshoretechnique

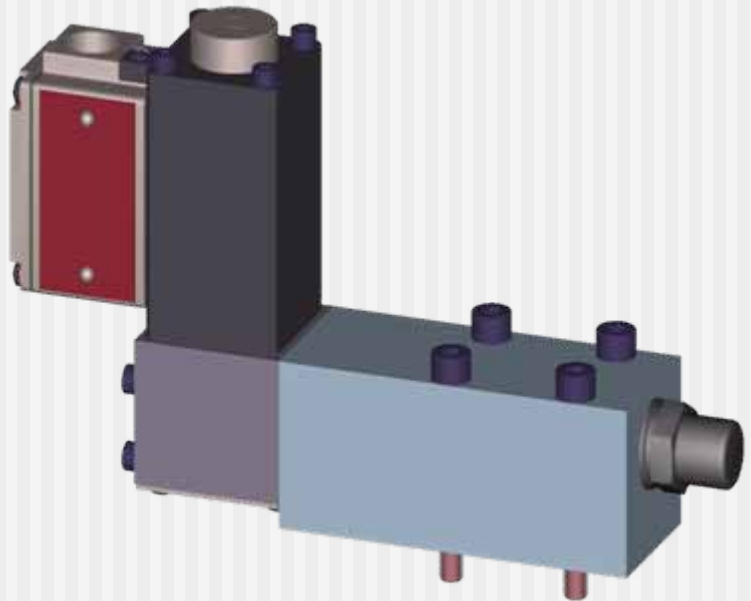
## 12. 3/2 way valve DN12

### TECHNICAL VALVE DATA:

SIZE	DN12
CONFIGURATION	3 PORT, 2 POSITION
WORKING PRESSURE	210 BARG
NOMINAL FLOW RATE	190 L/MIN
OPERATING MEDIUM	WATER, HFA, HFB OR MINERAL OIL

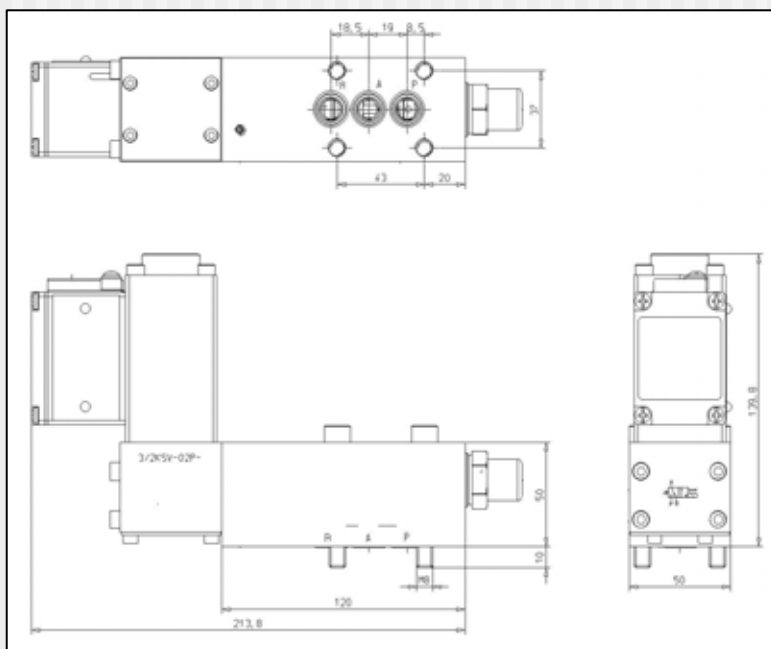
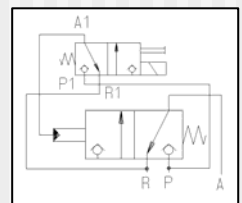
### TECHNICAL SOLENOID DATA:

CLASSIFICATION	EEX me II T6
APPROVAL-NO.	BAS98.ATEX.2380X
VOLTAGE	24VDC ±10%
POWER	MAX. 3,5 WATT
IP RATING	IP 66
CABLE GLAND ENTRY	M20x1,5
MANUAL OVERRIDE	



### HYDRAULIC SYMBOL

N/C



Drawing No.: 11-105647-00-00

Part No.: 210096 positive



# Offshoretechnique

## 12. 3/2 way valve DN12

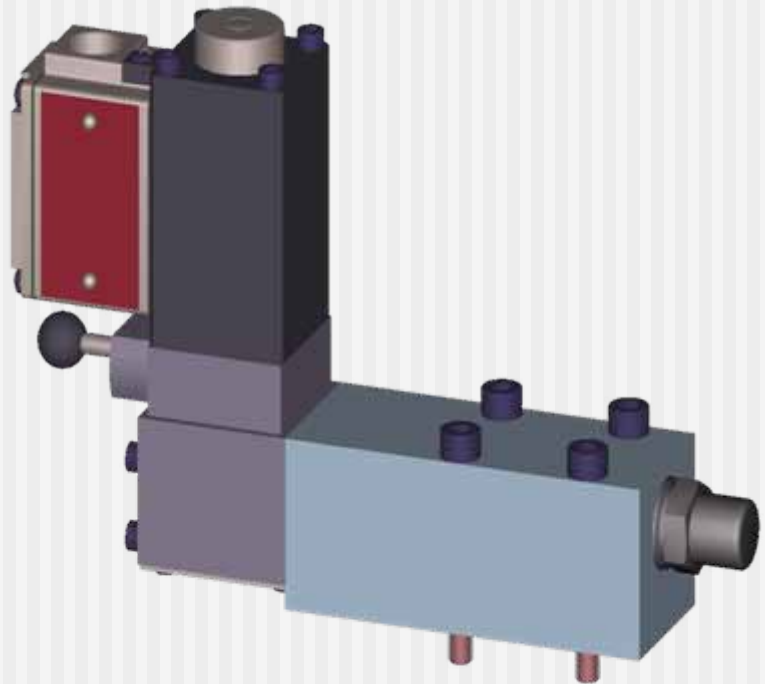
### TECHNICAL VALVE DATA:

SIZE	DN12
CONFIGURATION	3 PORT, 2 POSITION
WORKING PRESSURE	210 BARG
NOMINAL FLOW RATE	190 L/MIN
OPERATING MEDIUM	WATER, HFA, HFB OR MINERAL OIL

MANUAL RESET

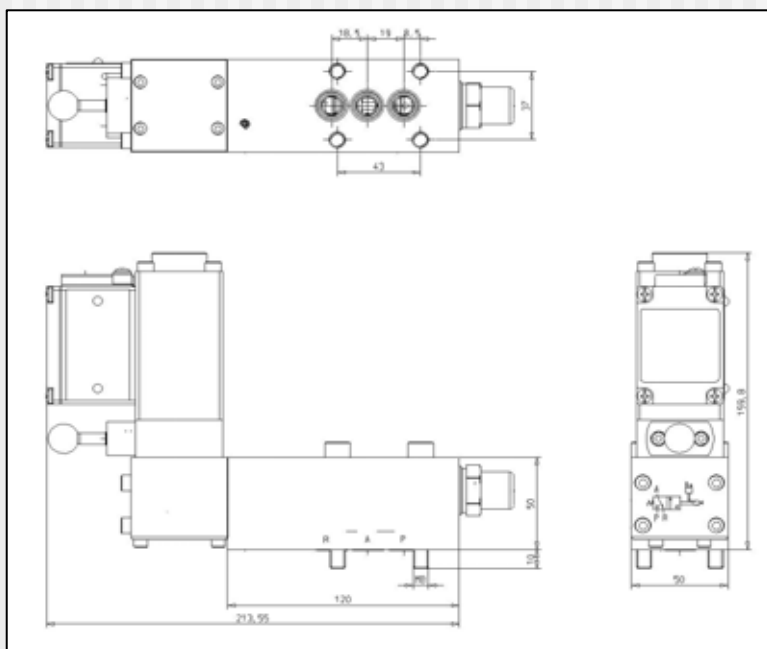
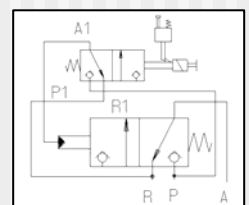
### TECHNICAL SOLENOID DATA:

CLASSIFICATION	EEX me II T6
APPROVAL-NO.	BAS98.ATEX.2380X
VOLTAGE	24VDC $\pm$ 10%
POWER	MAX. 3,5 WATT
IP RATING	IP 66
CABLE GLAND ENTRY	M20x1,5
MANUAL OVERRIDE	



### HYDRAULIC SYMBOL

N/C



Drawing No.: 11-105647-10-00

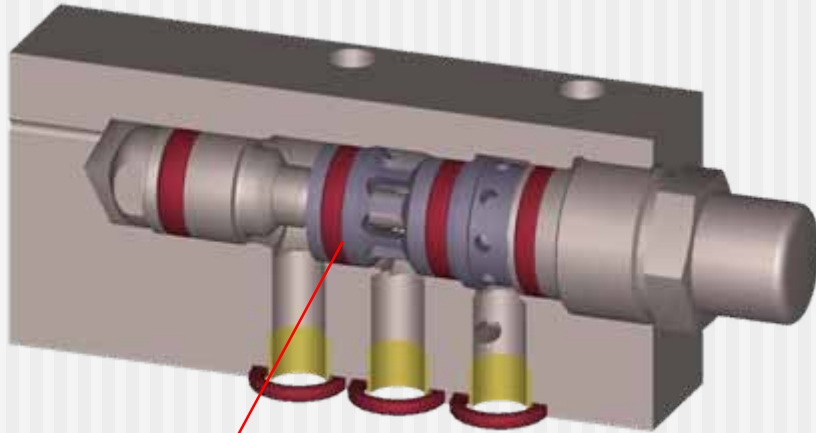
Part No.: 210282 positive

# Offshoretechnique

## 12. 3/2 way cartridge DN12

### TECHNICAL VALVE DATA:

SIZE	DN12
CONFIGURATION	3 PORT, 2 POSITION
WORKING PRESSURE	MAX. 420 BARG
NOMINAL FLOW RATE	MAX. 190 L/MIN
OPERATING MEDIUM	WATER, HFA, HFB OR MINERAL OIL
BLOCK BEFORE BLEAD DESIGN	
VALVE BODY	STAINLESS STEEL A4
SEALS	PUR



R

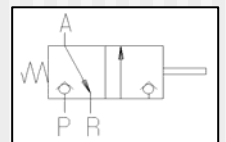
A

P



### HYDRAULIC SYMBOL

N/C



Drawing No.: 11-408263-02-00

Part No.: 210088