

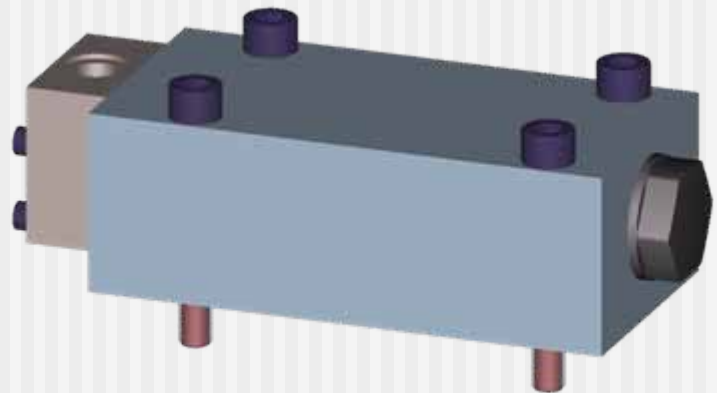


Offshoretechnique

13. 3/2 way valve DN20

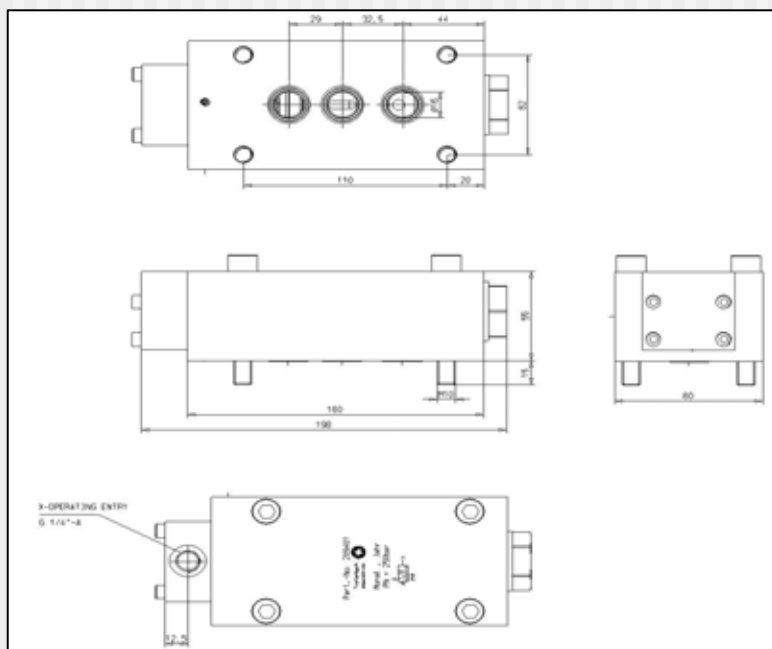
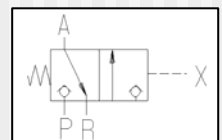
TECHNICAL VALVE DATA:

SIZE	DN 20
CONFIGURATION	3 PORT, 2 POSITION
PORT X	¼ NPT
WORKING PRESSURE	MAX. 250 BARG
NOMINAL FLOW RATE	270 L/MIN
OPERATING MEDIUM	WATER, HFA, HFB OR MINERAL OIL
SEALS	NBR
IP RATING	IP 66



HYDRAULIC SYMBOL

N/C



Drawing No.: 11-205175-00-00

Part No.: 209401 positive



Offshoretechnique

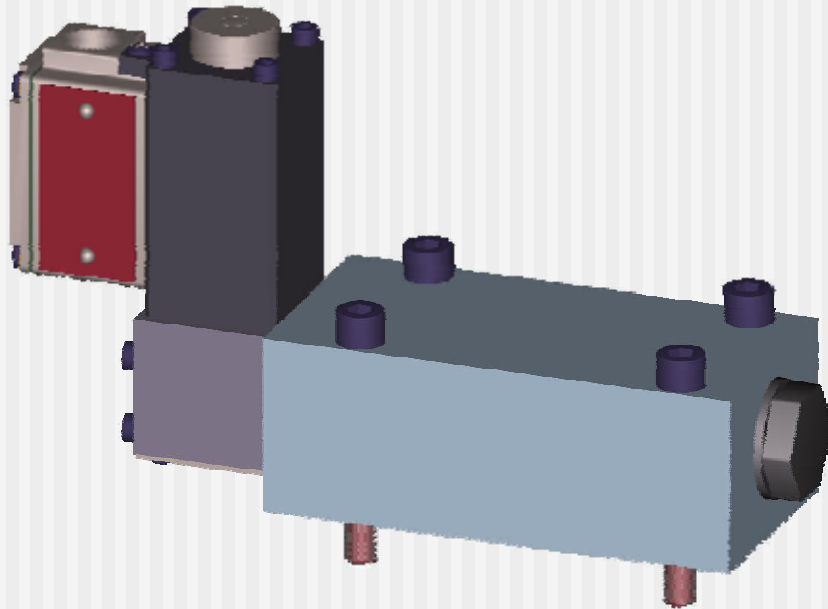
13. 3/2 way valve DN20

TECHNICAL VALVE DATA:

SIZE	DN20
CONFIGURATION	3 PORT, 2 POSITION
WORKING PRESSURE	MAX. 250 BARG
NOMINAL FLOW RATE	270 L/MIN
OPERATING MEDIUM	WATER, HFA, HFB OR MINERAL OIL

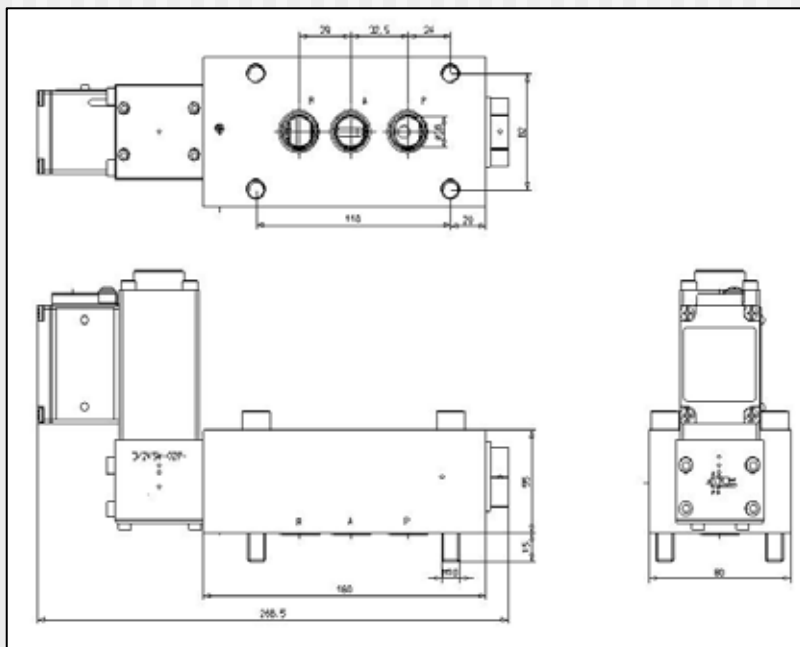
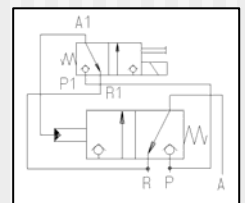
TECHNICAL SOLENOID DATA:

CLASSIFICATION	EEX me II T6
APPROVAL-NO.	BAS98.ATEX.2380X
VOLTAGE	24VDC ±10%
POWER	MAX. 3,5 WATT
IP RATING	IP 66
CABLE GLAND ENTRY	M20x1,5
MANUAL OVERRIDE	



HYDRAULIC SYMBOL

N/C



Drawing No.: 11-105638-00-00

Part No.: 209852 positive



Offshoretechnique

13. 3/2 way valve DN20

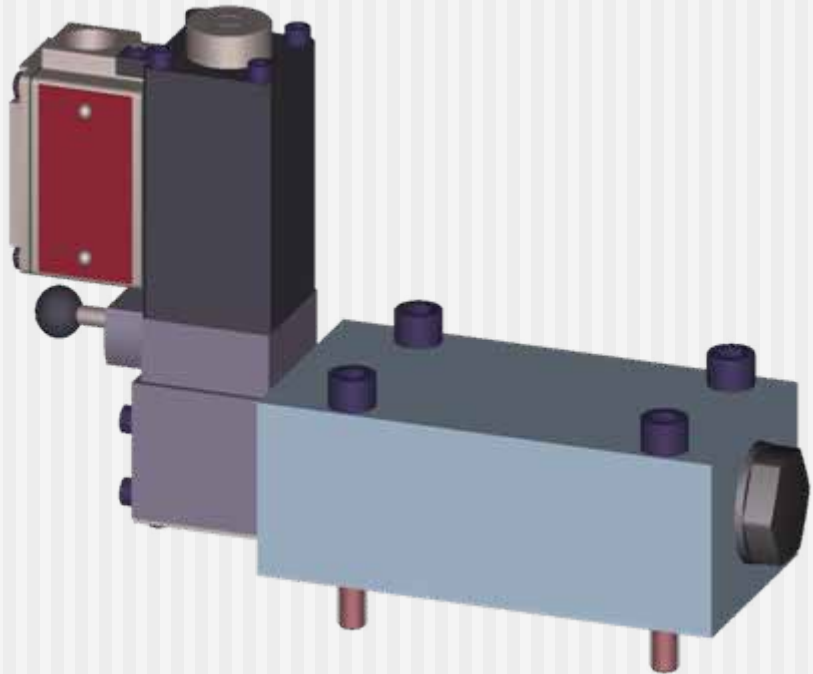
TECHNICAL VALVE DATA:

SIZE	DN20
CONFIGURATION	3 PORT, 2 POSITION
WORKING PRESSURE	MAX. 250 BARG
NOMINAL FLOW RATE	270 L/MIN
OPERATING MEDIUM	WATER, HFA, HFB OR MINERAL OIL

MANUAL RESET

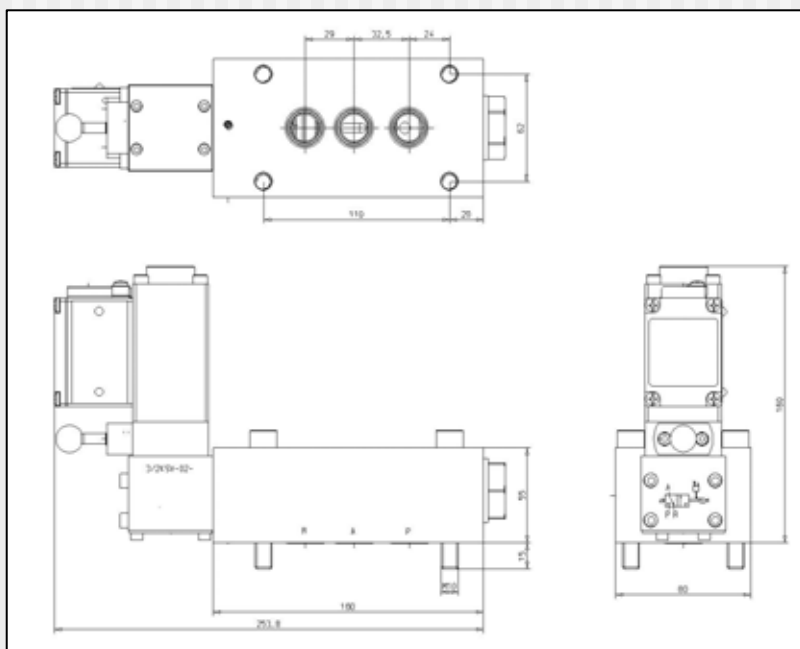
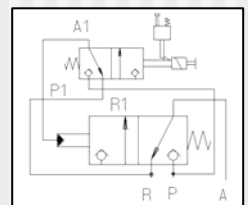
TECHNICAL SOLENOID DATA:

CLASSIFICATION	EEX me II T6
APPROVAL-NO.	BAS98.ATEX.2380X
VOLTAGE	24VDC \pm 10%
POWER	MAX. 3,5 WATT
IP RATING	IP 66
CABLE GLAND ENTRY	M20x1,5
MANUAL OVERRIDE	



HYDRAULIC SYMBOL

N/C



Drawing No.: 11-105638-10-00

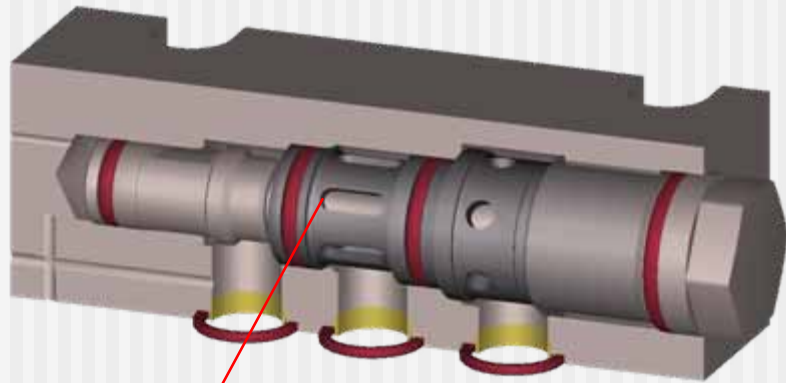
Part No.: 210283 positive

Offshoretechnique

13. 3/2 way cartridge DN20

TECHNICAL VALVE DATA:

SIZE	DN20
CONFIGURATION	3 PORT, 2 POSITION
WORKING PRESSURE	MAX. 400 BARG
NOMINAL FLOW RATE	MAX. 270 L/MIN
OPERATING MEDIUM	WATER, HFA, HFB OR MINERAL OIL
BLOCK BEFORE BLEAD DESIGN	
VALVE BODY	STAINLESS STEEL A4
SEALS	NBR



R

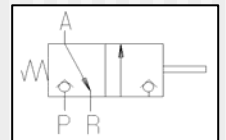
A

P



HYDRAULIC SYMBOL

N/C



Drawing No.: 11-409494-02-00

Part No.: 20971680