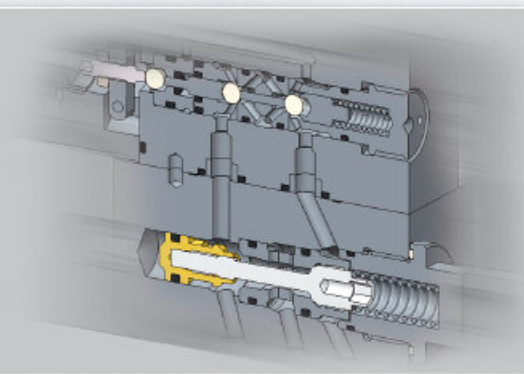


PROGRAMME

# High Pressure Valves

for hazardous and  
severe environments



*We give impulses >>>*

**TIEFENBACH**  
Control Systems GmbH





# Reliability & Innovation in



## DN2

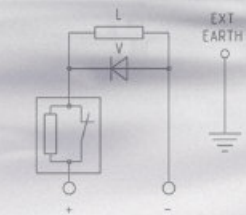
### DIRECT OPERATED

- Ex e / Ex d
- Full ATEX approval plus UL & C.S.A
- 24 V D.C.
- 3.5 W or 8 W
- Operating pressure 400 bar.g (690 bar.g available)
- Flow rate < 1 L/min
- Ingress protection IP66
- Block before bleed design
- Porting 3/2 and 2/2, N.C. or N.O.
- Manual override and manual reset available

## DN3

### DIRECT OPERATED

- Ex e / Ex d
- Full ATEX approval plus UL & C.S.A
- 24 V D.C.
- 3.5 W or 8 W
- Operating pressures 210, 400, 690 and 1035 bar.g
- Flow rate 5 L/min
- Ingress protection IP66
- Porting 3/2, 2/2 and 4/2, N.C. or N.O.
- Manual override and manual reset available



## DN SERIES OF HYDRAULIC VALVES

- Specifically designed for severe offshore environments
- Certified for Zone 0, 1 and Class 1 Division 1 hazardous areas
- Easy installation, repair and replacement
- Ambient temperature range -50°C to +60°C
- Low power consumption (3.5 & 8 Watts)
- 316L Stainless Steel construction
- Wide range of operators available
- 1140 Bar max operating pressure
- Virtually Leak tight
- Up to 200 L/min (45 gpm), 400 L/min (90 gpm)
- 2/2, 3/2, 4/2, & 4/3 Functions available
- Nace compliance available
- 1/4 - 1" Port size

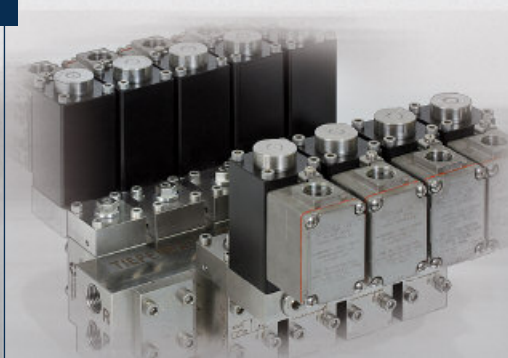
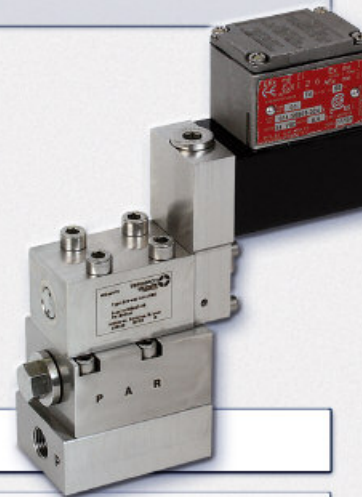
## MULTI-STATION MANIFOLD SYSTEMS

- Minimises pipework, fitting and potential leaks
- 316L Stainless Steel construction
- Reduced system costs
- Easy to maintain
- Compact and space saving
- Control circuits tailored to suit your specification
- Cartridge component technology for flow, check, relief and isolation valves
- Flowrates up to 200 L/min (45 gpm), 400 L/min (90 gpm)
- Additional stations can be added for chemical injection and future slots

## DN5

### PILOT OPERATED

- Ex e / Ex d
- Full ATEX approval plus UL & C.S.A
- 24 V D.C.
- 3.5 W or 8 W
- Operating pressure 400 and 690 bar.g
- Flow rate 20 L/min
- Ingress protection IP66
- Porting 3/2, 2/2 and 4/2, N.C. or N.O.
- Manual override and manual reset available
- Hydraulic and pneumatic pilot operator available
- Pulse operated with hydraulic latching





# Directional Control Valves



## DN5

### PILOT OPERATED

- Operating pressure 400 and 690 bar.g
- Flow rate 20 L/min
- Ingress protection IP66
- Porting 3/2 and 2/2, N.C. or N.O.
- Hydraulic pilot operation
- Pneumatic pilot operation

**ZERO  
LEAKAGE**

**LOW  
POWER**

**HIGH  
PRESSURE**



## DN12

### PILOT OPERATED

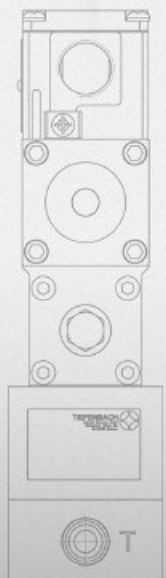
- Ex e / Ex d
- Full ATEX approval plus UL & C.S.A
- 24 V D.C.
- 3.5 W or 8 W
- Operating pressure 400 and 690 bar.g
- Flow rate 50 L/min
- Ingress protection IP66
- Porting 3/2, 2/2, 4/2 and 4/3, N.C. or N.O.
- Manual override and manual reset available
- Hydraulic and pneumatic pilot operator available
- Pulse operated with hydraulic latching



## DN20

### PILOT OPERATED

- Ex e / Ex d
- Full ATEX approval plus UL & C.S.A
- 24 V D.C.
- 3.5 W or 8 W
- Operating pressure 400 bar.g
- Flow rate 400 L/min
- Ingress protection IP66
- Porting 3/2, 2/2, 4/2 and 4/3, N.C. or N.O.
- Manual override and manual reset available
- Hydraulic and pneumatic pilot operator available
- Pulse operated with hydraulic latching





**D**ue to our close cooperation with our numerous international partners, we are able to give our customers personal on-site support and provide comprehensive consultation at any time



**Tiefenbach  
Control Systems GmbH**

Rombacher Hütte 18a  
44795 Bochum - Deutschland  
Phone: +49 (0) 234 - 777 66 - 0  
Fax: +49 (0) 234 - 777 66 - 999  
Mail: info@tibacon.com  
Web: www.tibacon.com

**Subsidiaries ...**

- China**  
**Tiefenbach Control Systems GmbH**  
**Büro Peking**, Room A-1602, Lucky Tower  
3# North Dongsanhuan Road, Beijing China 100027  
Phone: +86 (0)10 64602025  
Mail: tibacon@126.com
- Poland**  
**Tiefenbach Polska Sp.z O.O.**  
ul. Anieli Krzywón 16, PL-41-922 Radzionków  
Phone: +48 32 388 6780  
Fax: +48 32 388 6781  
Mail: info@tiefenbach.com.pl
- Russian Federation**  
**OOO Tiefenbach Control Systems**  
650021 Kemerowo, ul. Nowgorodskaja, 1  
Phone/Fax: +7 3842 571245  
Mail: tiefenbach-rus@mail.ru
- USA**  
**Tiefenbach North America LLC**  
**Hydrosorce Fluid Power Division**  
3335 Smithtown Road, USA-Morgantown, WV 26508  
Tel.: +1 304 368 9440  
Fax: +1 304 368 9445  
Mail: info@tiefenbach.us  
Web: www.tiefenbach.us

**Distributors Europe ...**

- Czech Republic (Industry)**  
**Pavel Halva**  
Haskova 144/7, 63800 Brno  
Phone: +420 602 257 753  
Mail: info.tiefenbach(at)centrum.cz
- France**  
**Mr. Walfred Steib**  
16 Impasse des ronces, F-57470 Hombourg Haut  
Phone: +33 3878 16845  
Fax: +33 3870 48890  
Mobile: +33 6826 37646  
Mail: walfred.steib(at)wanadoo.fr
- Great Britain (Mining)**  
**Mr. Thomas Ridley Milburn**  
Wallend Farm, Greenhead Brampton Carlisle  
GB - Cumbria CA87HN, England  
Mail: R.Milburn(at)gmx.net
- Norway**  
**Håland Instrumentering AS**  
Tangen 12, N-4070 Randaberg  
Phone: +47 51 71 97 00  
Fax: +47 51 71 97 01  
Mail: post(at)hi-as.no
- Slovakia (Industry)**  
**BIBUS SK, s.r.o**  
Trnavska 31, 94901 Nitra  
Mail: office(at)bibus.sk  
Web: www.bibus.sk
- Spain (Mining)**  
**I.E.E., S.A.**  
Poligono Industrial Vega de Baina, 22  
E-33682 Baina - Mieres (Asturien)  
Phone: +34 985 446 971  
Fax: +34 985 446 972  
Mail: mail(at)ieespain.com
- Spain (Industry)**  
**Industrial Equipment and Consumables, S.L. (Boogen)**  
Edificio Albia, 13°-3, E-48001 Bilbao  
Phone: +34 944 233 406  
Fax: +34 944 245 268  
Mail: boogen(at)boogen.com
- Ukraine (Industry)**  
**Premium Engineering Ltd, Ernest Putnikov**  
25-A Shebchenko Blvd., Zaporozhye 69001  
Phone/Fax: +380 61 270 0108  
Mail: putnikov(at)premium.velton.ua

**Distributors Asia ...**

- China (Industry)**  
**Shanghai Kinsson Equip. & Parts Corp.**  
Workshop 3, 4 Rm 3129 Shenzhuan Highway  
Songjiang, Shanghai, 201603, P.R. China  
Phone: +86 21 57669669  
Fax: +86 21 57669411/57669412  
Mail: info@kinsson.com
- India (Industry)**  
**Chevron International Mr. Sanjay Biyani**  
138 Canning Street, 2nd Floor  
Kolkata - 700 001, Indien  
Phone: +91 33 2243 1791  
Fax: +91 33 2243 2121  
Mail: chevron@vsnl.net
- India (Hydropower)**  
**Hydel Engineering Products**  
Middle Bazzar, Rampur Bushahar, Distt. Shimla  
(H. P) 172001, Indien (Contact: Narender Sharma)  
Phone: +91 94180 52277  
Fax: +91 1782 275225  
Mail: hydengineering@gmail.com
- South Korea**  
**Dawon Trading Corp.**  
Room 405, Manyong Bldg., 85-3, Galwol-Dong,  
Yongsan-Gu, Seoul 140-150, Korea  
Phone: +82 2 717 1251  
Fax: +82 2 717 1393  
Mail: korea@dawon.seoul.kr  
Web: www.dawon.seoul.kr
- Turkey (Mining)**  
**CT Grup Maden Ekipmanları Ltd. Şti.**  
Gazi Mahallesi, Ergün Fazıl Paçal Caddesi No 39  
PK 06922 Çayırhan - ANKARA  
Phone: +90 (312) 796 26 50  
Mob.: +90 541 679 3633  
Fax: +90 (312) 796 26 51  
Web: www.ctme.com.tr

**Distributors Australia ...**

- Australia**  
**Nepean Longwall New South Wales**  
64 Gardiner St., Rutherford,  
Maitland NSW 2320, Australien  
Phone: +61 02 4932 8944  
Fax: +61 02 4932 8536  
Mail: info@nepean.com

**Distributors America ...**

- USA (Offshore)**  
**Hartfiel Automation Mr. Brink Ciferri**  
2600 Technology Drive, Ste. 300  
Plano, Texas 75074  
Phone: +1 (972) 633 0000  
Fax: +1 (972) 633 8010  
Mail: Brink.Ciferri@hartfiel.com  
Web: www.hartfiel.com

**Distributors Africa ...**

- South Africa**  
**Solar 2000 (Pty) Limited Southern Trading**  
Corner Kelly and Yaldwyn Roads, Jetpark  
Boksburg 1459, ZA-Gauteng  
Phone: +27 11 397 4530  
Fax: +27 11 397 4518  
Mail: frikkie@solar2000.co.za  
Web: www.solar2000.co.za